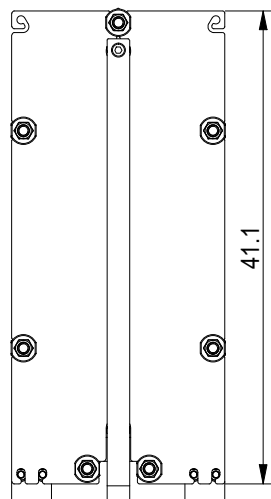
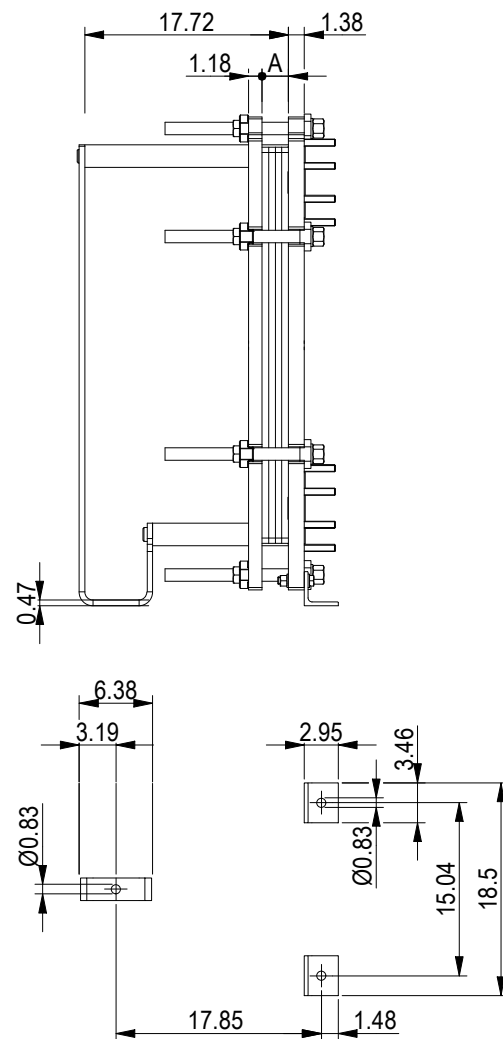


This document and its contents are subject to copyrights and other intellectual property rights owned by Alfa Laval (pub) or any of its affiliates (Alfa Laval). No part of this document may be copied, reproduced or transmitted in any form or by any means, or for any purpose, without Alfa Laval's prior express written permission. Information and services provided in this document are made as a benefit and service to the user, and no representations or warranties are made about the accuracy or suitability of this information and these services for any purpose. All rights are reserved.

**PRESSURE PLATE**  
(MOVABLE)

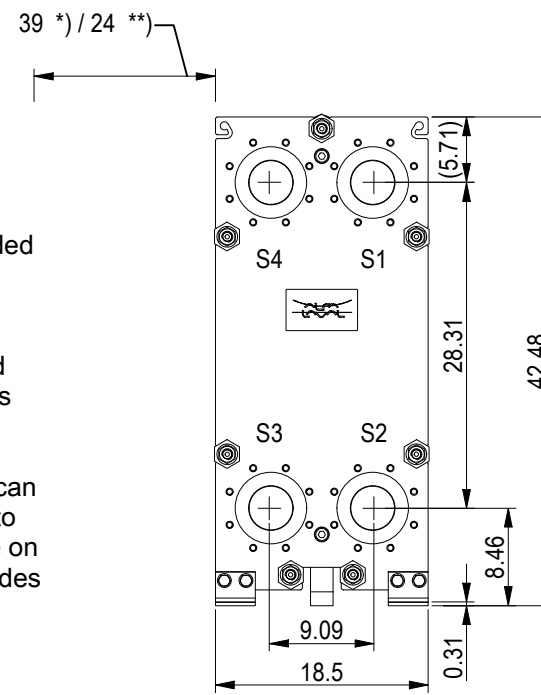


Space between pressure plate and supporting column should be kept free from fixed installations!



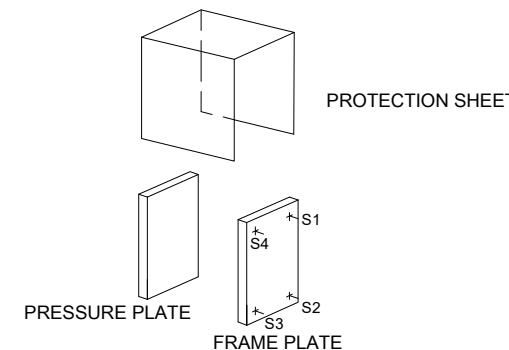
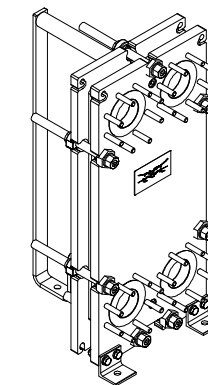
**FRAME PLATE**

All dimensions in inches



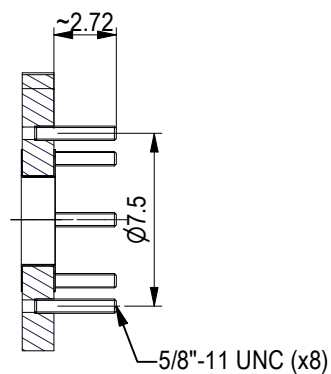
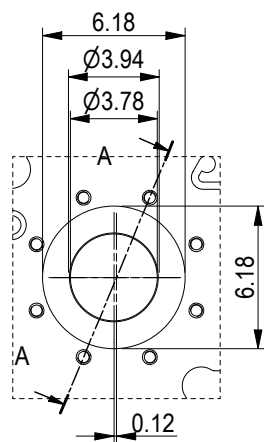
\*) Recommended free space for opening and closing to be applied on both sides

\*\*) Free space can be reduced to this distance on one of the sides



ASME B16.5 Class 150 NPS 4  
S1, S2, S3, S4

A-A:  
ALLOY 316



APPROX. OUTER DIMENSIONS	
LENGTH	22.4 in
WIDTH	18.9 in
HEIGHT	41.3 in
APPROX. WEIGHTS	
NET WEIGHT, EMPTY	627 lb
WEIGHT FULL OF WATER	670 lb
PLATE MATERIAL	ALLOY 316
PLATE THICKNESS	0.5 mm
GASKET	NBRP ClipGrip™

CHANNEL ARRANGEMENT 1\*14 MH  
/ 1\*15 ML

NO. OF UNITS	1
CHANNEL	
MH	null GPM
ML	null GPM

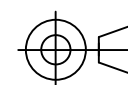


www.alfalaval.com

DRAWING  
GASKETED PLATE HEAT EXCHANGER  
**T10-BFG**

ASME  
Code Section VIII Div.1

MAWP 150 psi at 150.1 °F  
MDMT 32.0 °F at 150 psi  
Designed and constructed in accordance with the 2019 ASME Code.



8240153011  
T10-BFG, 30 plates

Do not use this drawing for foundation bolting or piping layout

DATE 5/2/22  
REVISION 0